

Geoprobe® 2.25 in. Injection Probe

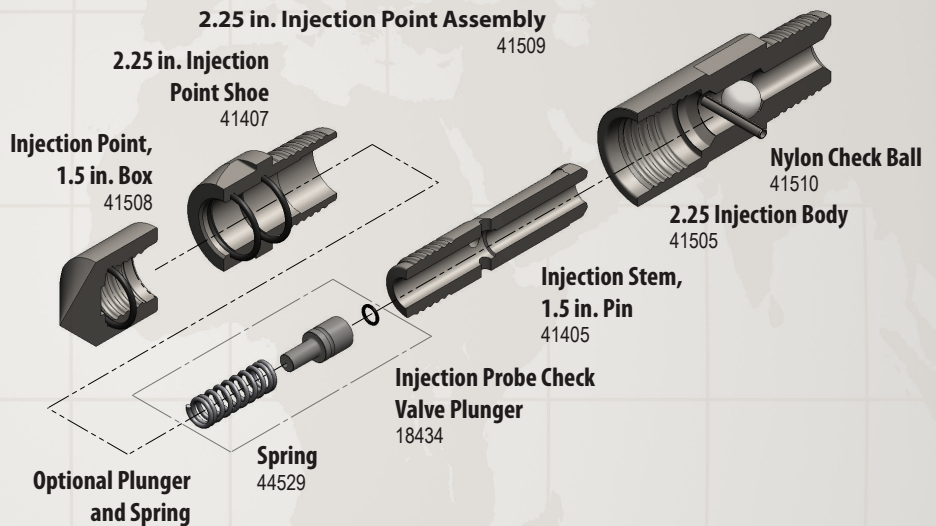
Accurate Injection Materials Placement

- The Geoprobe® 2.25 in. Injection Probe allows for “Top Down” or “Bottom Up” injection methods. Use with the Geoprobe 2.25 Injection Pull Cap (P/N 37275).
- The four horizontal injection ports provide 360 degrees influence of remediation materials.
- During advancement & retraction of the probe, the check valve system keeps subsurface materials out of the injection tool string and helps prevent injection material back flow.



Cost Effective Injection

- No need for expendable points thus giving you a cost savings per hole.
- Compatible with all Geoprobe Systems® pump configurations.
- Fast & Simple cleaning with few replaceable parts needed.



Productive Injection

- The Geoprobe® 2.25 in. Injection Probe is manufactured with Stainless Steel components and is compatible with many remediation products.
- “High Solids” materials such as cement or iron based materials are easily injected with the 2.25 in. Injection Probe.
- Quick & Easy assembly and disassembly of the probe for cleaning and simple maintenance.

