

Geoprobe® GP350 Grout System

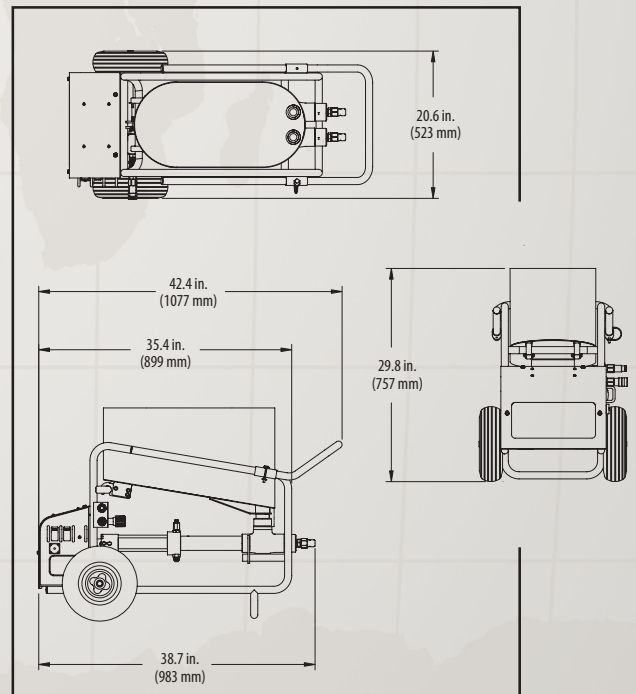
The GP350 Grout/Injection Machine offers the same pumping and injection features as the GP300 grout machine in a smaller, very mobile package. The machine was designed for the injection of remediation materials or for bottom-up grouting through small diameter probe holes. The GP350 is also capable of delivering standard ASTM grout mixes, and, based on the power source, provides operating pressures up to 1,300 psi with a maximum flow rate of 5 gpm. The machine operates using auxiliary hydraulics so is adaptable for use with multiple Geoprobe® machines.

- Small, light-weight package
- Designed for Injection of Remediation Materials
- Grout Probe Holes from the Bottom Up
- High Pressure enables Grouting by Small Tremie Tubes
- Easy to Disassemble for Cleanup
- Dual Reciprocating-type Piston Pumps
- Few Replaceable (wear) Parts
- Operates on Auxiliary Hydraulics
- Use with Multiple Geoprobe® Units
- Speed Control on Injection Machine
- Optional Viton seals for pumping harsh Remediation Materials

GP350 Specifications

| | | |
|---------------------------------------|----------------|-----------|
| Weight (without grout)..... | 145 lb..... | 66 kg |
| Height..... | 29.8 in..... | 757 mm |
| Width..... | 20.6 in..... | 523 mm |
| Length..... | 38.7 in..... | 983 mm |
| Hopper Capacity..... | 12.75 gal..... | 48.3 L |
| Hopper Capacity (3 in. freeboard) ... | 9.5 gal..... | 36 L |
| Pump Displacement..... | 13 cu. in..... | 213 mL |
| Pump Pressure Rating*..... | 1,300 psi..... | 89 bar |
| Pump Flow Rate*..... | 0-5 gpm..... | 0-18.9 Lp |

*Dependant on Hydraulic Power Source.



Weighing less than 150 lb., the GP350 can be loaded by two people and can be easily maneuvered around a project site by one field person.

