

# Geoprobe® 8250LS Rotary Sonic

Rotary Sonic Rigs | 8250LS

▶ Dual Winch System

Rock Coring Compatible

▶ Head Centerline Side-Shift, Extend, Drill Mast Dump, Breakout Vertical Shift, Head Tilt

20-ft. Tooling Compatible

▶ Geoprobe® Designed Rod Handling System

▶ 14-in. Double Wrench Breakout

## Big Sonic Power to Run 20-ft. Tooling

The Geoprobe® 8250LS is a full-size rotary sonic rig capable of running 20-ft. tooling. The GV5 sonic head provides 50,000 lbs. of dynamic force for increased efficiency in the field.

▶ Geoprobe® GV5 Sonic Head

- 50K Dynamic Force

▶ Multi-Function Drill Mast

- High Speed Coring Head (Optional)
- Auto Drop Hammer Compatible (SPT)

Engine Mounted Air Compressor

Water / Mud Pumps

- Multiple configurations available

▶ Control Panel

- Movable, Adjustable Swing-Arm
- Remote Diagnostics

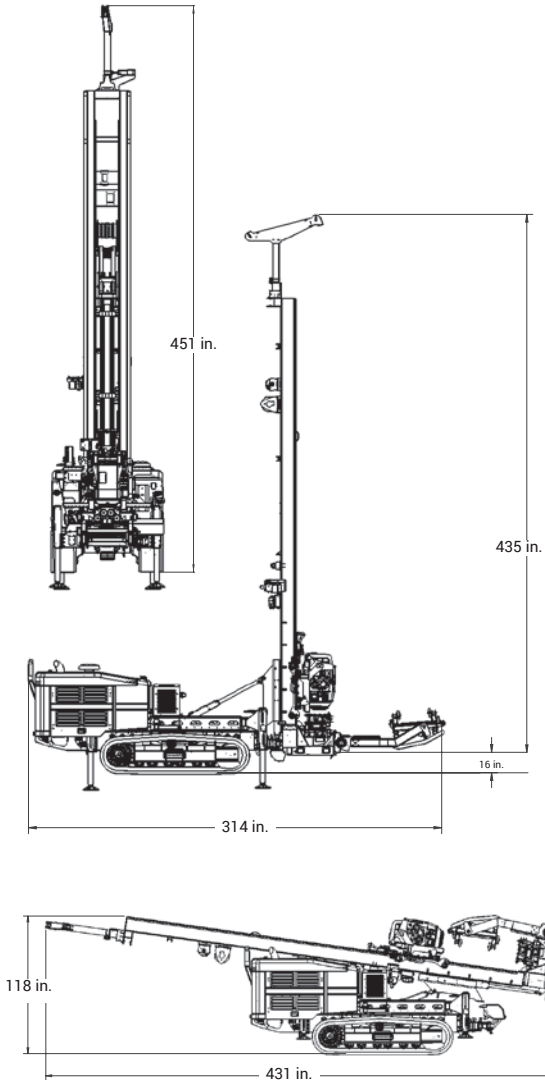
Outriggers (Four Point Stabilization)





## Weight & Dimensions

Base Unit Weight: 35,500 lb. (16,102 kg.)  
 With Typical Options\*: 37,000 lb. (16,783 kg.)



View full specifications online at  
[geoprobe.com/8250ls](http://geoprobe.com/8250ls)

## Tooling

### Typical Geoprobe® Tooling for the 8250LS

- Casing Sizes: 10 in., 8 in., 6 in., 4.5 in. HD
- Weighted Wire Line Sampling (WWL60)
- Dual Tube Sonic Sampling (SDT60)
- 8x10, 6x8, 4x6 HD Sonic Sampling
- SP60 Groundwater Sampling

Rig shown with optional features. Weights & dimensions subject to change without notice.

\*Typical extras and options include hose pump, rod handler, second winch, and 48 in. toolbox.  
 Standard features include triplex pump, breakout, air compressor, and head feed pressure control.

## 8250LS Options

### High Speed Coring Head

226036 GV5 High Speed Coring Head Drive

### Automatic Drop Hammer

226167 Automatic Drop Hammer Only, 140 lb  
 226289 Drop Hammer Mounting Kit  
 216826 Automatic Drop Hammer 340 lb. Expansion Kit  
 217067 Automatic Drop Hammer 300 lb. Expansion Kit  
 221820 Automatic Drop Hammer 170 lb. Expansion Kit  
 210126 Weight, 65 kg

### Mast / Winch

400026 Wireline Winch Kit: 1,800 lbf with Quick Change Hook

### Rotational Safety Cage

222917 Safety Cage

### Rod Handler

225998 Rod Handler System (3" to 9", Double Jointed, Integral Safety Features)

### Water / Mud Pumps

220581 SPX40 Hose Pump Kit  
 221315 Triplex Hose Reel Kit - SPX Mount  
 221316 Triplex Hose Reel Kit - Rail Mount

### Air Compressor

218584 Air Line Oiler Kit

### Toolboxes

220333 48 in. Toolbox

### Additional Options

216816 Drill Mast Adjustable Brace Kit  
 218880 GV5 Spindle Adapter, 6.0 in., 4.5 in., 3.5 in. Assembly  
 222600 GV5 Spindle Assembly

### Racks

226133 Indexing Rack, 6.0 in. Casing  
 226096 Indexing Rack, 4.5 in. Casing  
 226314 Indexing Rack, 7.625 in. Casing



GV5 High Speed Coring Head Drive (226036)



Wireline Winch Kit (400026)



Rod Handler System (225998)



SPX40 Hose Pump Kit (220581)



48 in. Toolbox (220333)