

Geoprobe® 8150LS Rotary Sonic Rig

Rotary Sonic Drill Rigs | 8150LS

▶ VIDEOS AVAILABLE AT GEOPROBE.COM/8150LS WHEN YOU SEE THIS SYMBOL

▶ Dual Winch System

▶ Geoprobe® GV5 Sonic Head

- 50K Dynamic Force

Head Centerline Side-Shift, Extend, Drill Mast Dump, Breakout Vertical Shift, Drill Mast Side-Shift, Head Tilt

▶ 10-ft. Tooling Compatible

▶ Outriggers (Four Point Stabilization)

▶ 14-in. Double Wrench Breakout

▶ Geoprobe® Designed Rod Handling System

Full-Size Rotary Sonic Rig with 50K Dynamic Force

Geoprobe® 8150LS is a full-size rotary sonic rig with high performance capable of running 10-ft. tooling, GV5 sonic head provides 50,000 lbs. of dynamic force.

▶ Multi-Function Drill Mast

- High speed coring head (optional)
- Auto drop hammer compatible (SPT)

▶ Rock Coring Compatible

▶ Engine Mounted Air Compressor

▶ Water / Mud Pumps

- Multiple configurations available

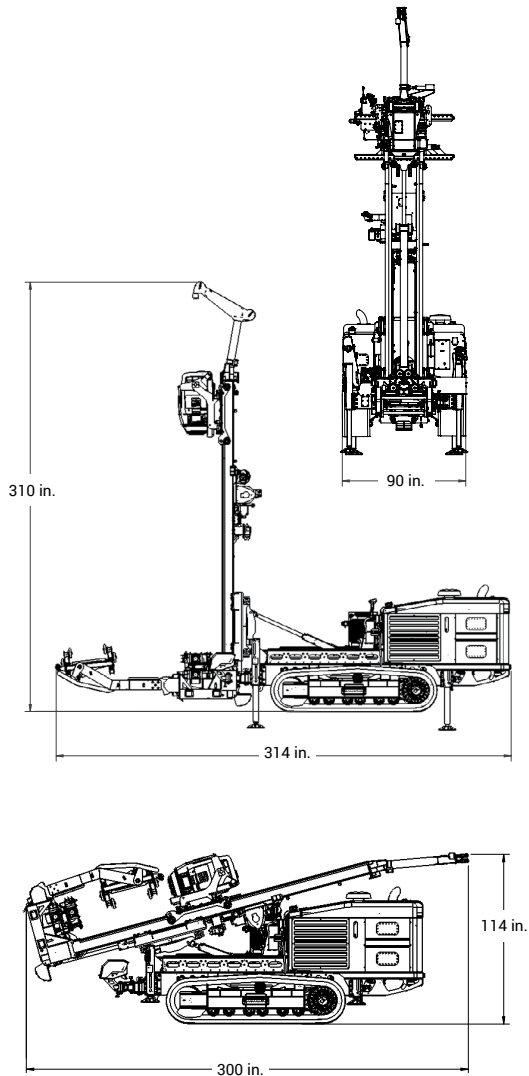
▶ Control Panel

- Movable, adjustable swing-arm
- Remote diagnostics



WEIGHT & DIMENSIONS

Base Unit Weight: 32,500 lb. (14,742 kg.)
With Typical Options*: 33,500 lb. (15,195 kg.)



TOOLING

Typical Geoprobe® Tooling for the 8150LS

- Casing Sizes: 10 in., 8 in., 6 in., 4.5 in. HD
- Weighted Wire Line Sampling (WWL60)
- Dual Tube Sonic Sampling (SDT60)
- 8x10, 6x8, 4x6 HD Sonic Sampling
- SP60 Groundwater Sampling

Rig shown with optional features. Weights & dimensions subject to change without notice.

*Typical extras and options include hose pump, rod handler, second winch, and 48-in. toolbox. Standard features include triplex pump, breakout, air compressor, and head feed pressure control.



OPTIONS

High Speed Coring Head

- GV5 High Speed Coring Head Drive

Spindles

- GV5 Spindle Adapter, 6.0 in. RHSL, 4.5 in. HDR Assembly
- GV5 Spindle Adapter, 6.0 in., 4.5 in., 3.5 in. Assembly
- GV5 Spindle Assembly
- GV5 Matrix Spindle Assembly

Mast / Winch

- Wireline Winch Kit: 1,800 lbf with Quick Change Hook
- Drill Mast Adjustable Brace Kit

Rod Handler

- Rod Handler System
(3 in. to 9 in., Double Jointed, Integral Safety Features)

Automatic Drop Hammer

- Automatic Drop Hammer Only, 140 lb
- Drop Hammer Mounting Brackets
- Expansion Kit
 - 340 lb.
 - 300 lb.
 - 170 lb.
- Weight, 65 kg

Rotational Safety Cage

- Safety Cage

Air Compressor

- Air Line Oiler Kit

Water / Mud Pumps

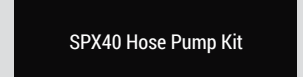
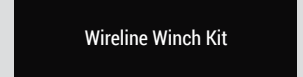
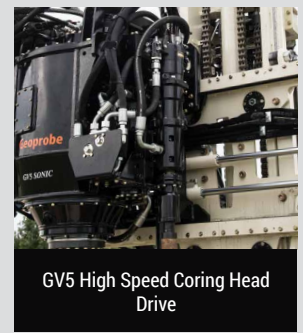
- SPX40 Hose Pump Kit
- Hose Reel Kit - Kerr Pump Mount

Toolboxes

- 48 in. Toolbox

Racks

- Indexing Rack, 6.0 in. Casing
- Indexing Rack, 4.5 in. Casing
- Indexing Rack, 7.625 in. Casing
- Sonic Rod Rack 4x6
- Rod Rack with Roller



The 8150LS fits inside a 40-ft. shipping container.



Videos, Photos, Specifications, Resources

geoprobe.com/8150ls