

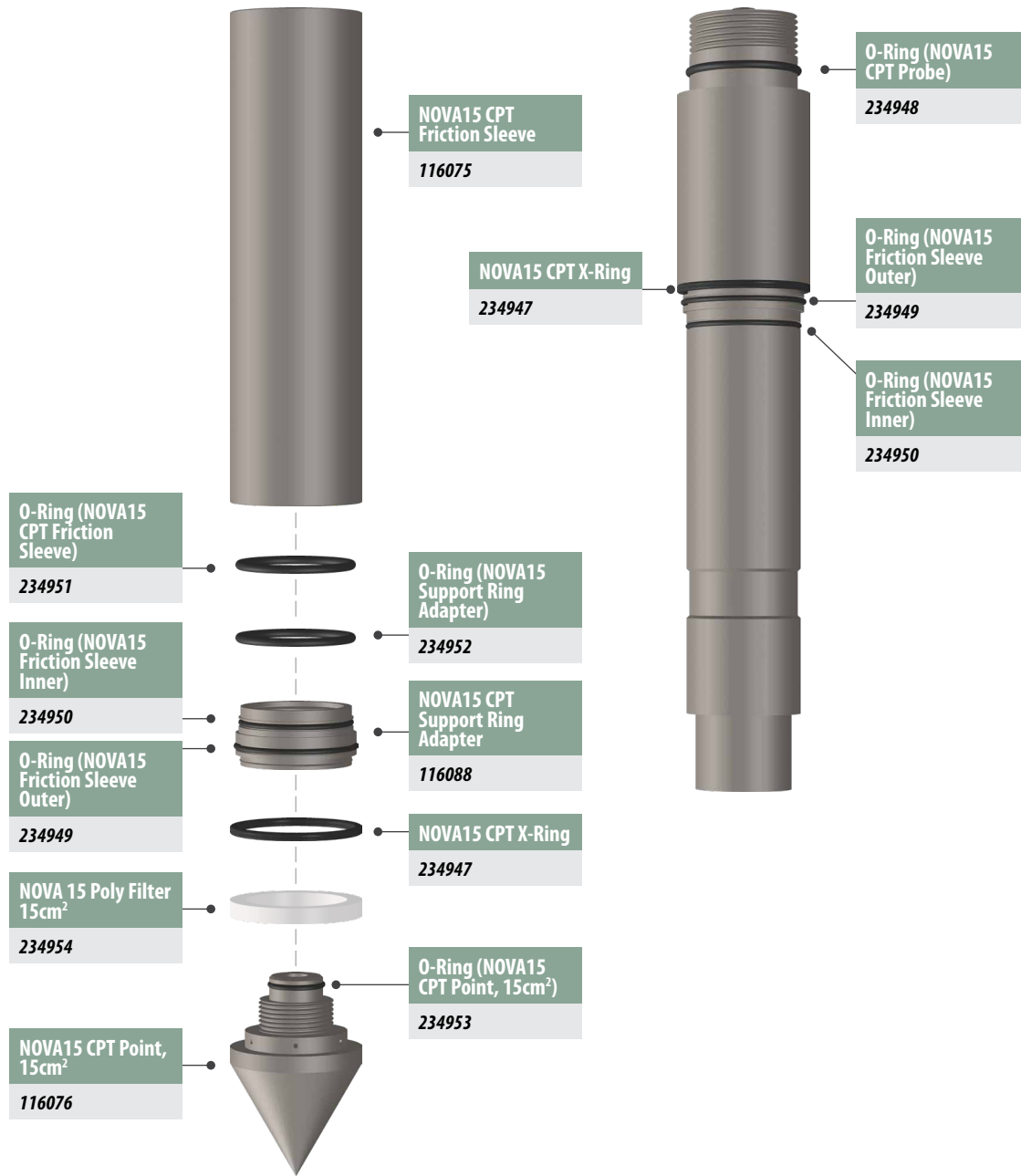
Accessories

Components	Part	MN	Notes
	NOVA CPT Point 10cm ²	600492	O-ring: 600502
	NOVA CPT Friction Sleeve 150cm ²	600499	
	NOVA CPT Support Ring / Adapter	600501	
	CPT Poly Filter Ring 10cm ²	233770	Quantity: 10
	CPT X-Ring	600128	
	O-Ring (NOVA Friction Sleeve)	600505	Quantity: 10

Components	Part	MN	Notes
	O-Ring (NOVA Support Ring Inner)	600504	Quantity: 10
	O-Ring (NOVA CPT Point)	600502	
	O-Ring (NOVA CPT Probe)	600503	
	CPT Filter Ring	600125	Brass
	NOVA CPT Battery Plug	600539	



geoprobe.com/cpt



Accessories

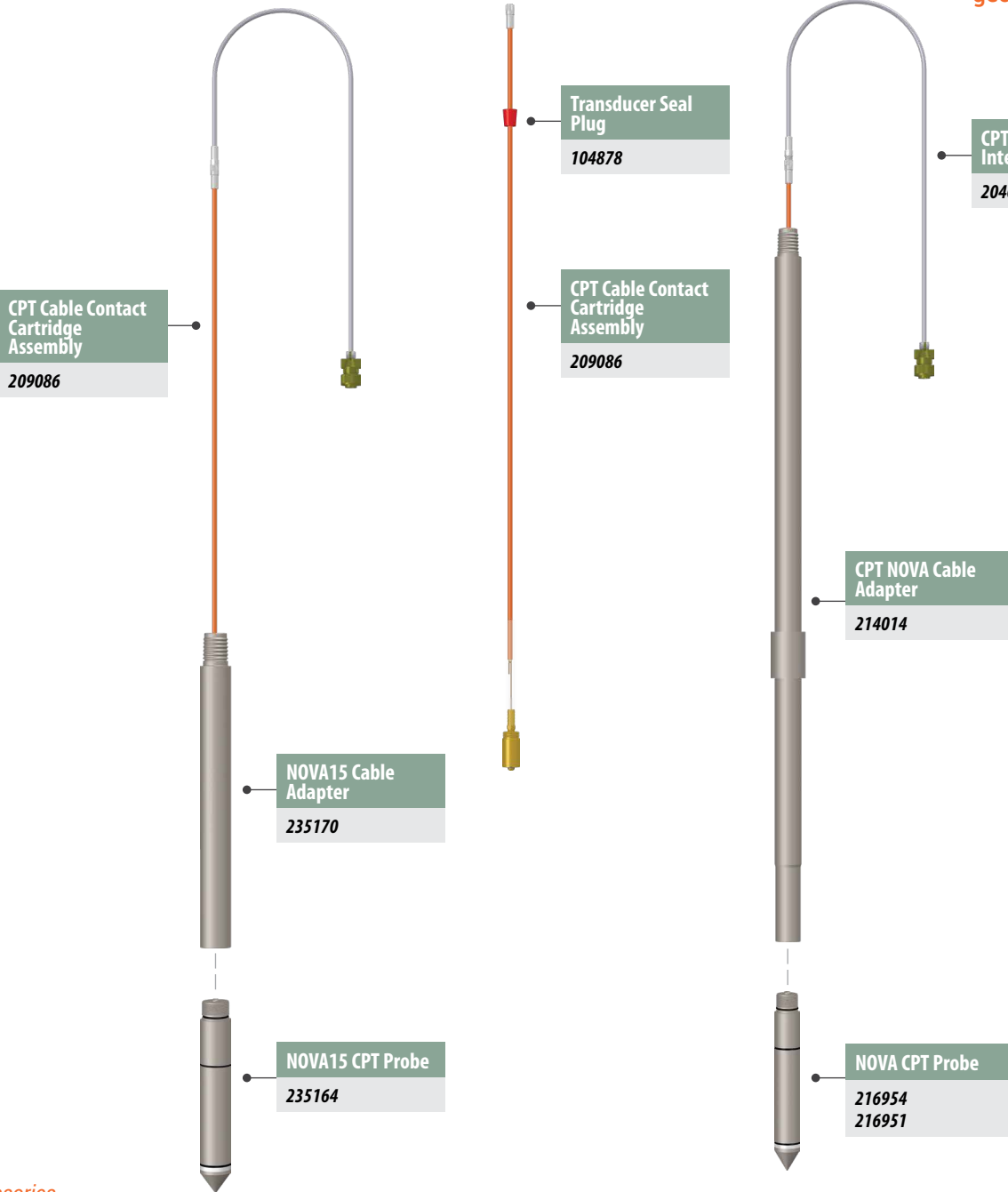
Components	Part	MN	Notes
	NOVA15 CPT Friction Sleeve NEW	116075	
	NOVA15 CPT Point, 15cm ² NEW	116076	
	NOVA15 CPT Support Ring Adapter NEW	116088	
	NOVA15 CPT X-Ring NEW	234947	Quantity: 10
	NOVA 15 Poly Filter 15cm ² NEW	234954	Quantity: 10
	O-Ring (NOVA15 CPT Probe) NEW	234948	Quantity: 10

Components	Part	MN	Notes
	O-Ring (NOVA15 Friction Sleeve Outer) NEW	234949	Quantity: 10
	O-Ring (NOVA15 Friction Sleeve Inner) NEW	234950	Quantity: 10
	O-Ring (NOVA15 CPT Friction Sleeve) NEW	234951	Quantity: 10
	O-Ring (NOVA15 Support Ring Adapter) NEW	234952	Quantity: 10
	O-Ring (NOVA15 CPT Point, 15cm ²) NEW	234953	Quantity: 10



785-825-1842

geoprobe.com/cpt



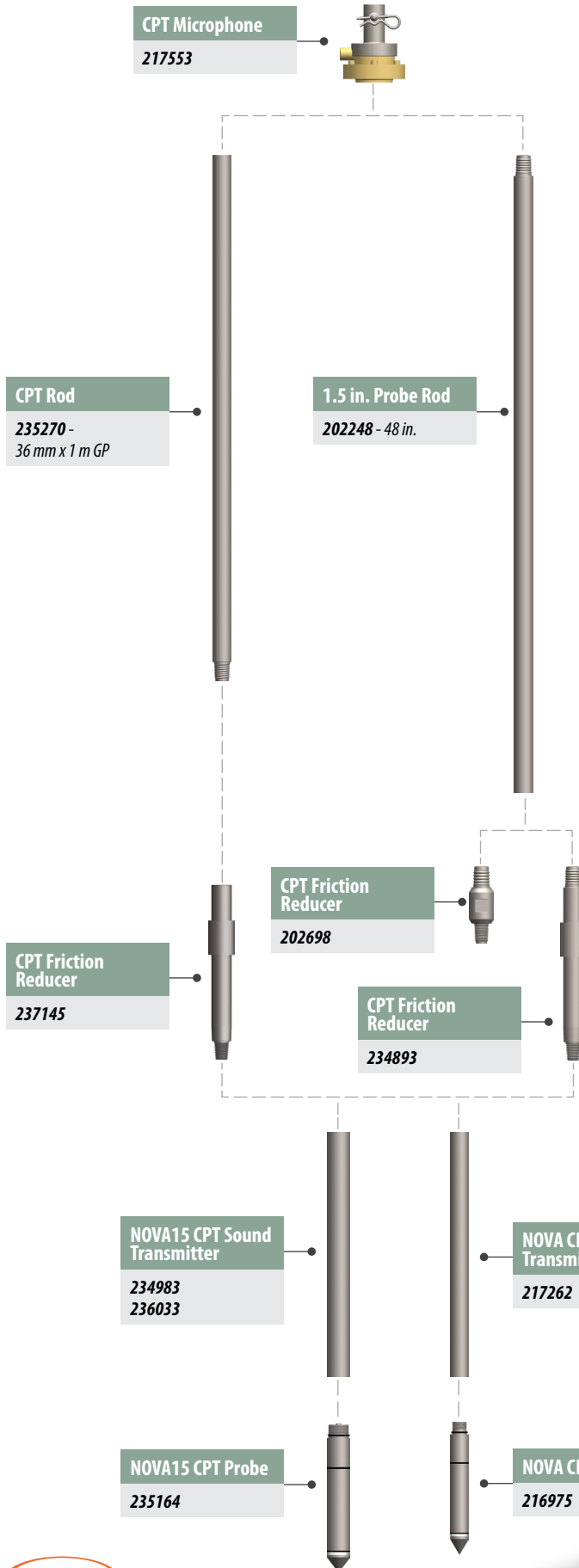
Accessories

Components	Part	MN	Notes
	NOVA15 CPT Probe NEW	235164	100, 1.5, 5.0, Tilt
	NOVA CPT Cable Probe	216954	100, 1.0, 2.0, Tilt
	NOVA CPT Probe	216951	100, 1.0, 5.0, Tilt (Custom)
	CPT NOVA Cable Adapter	214014	1.5 in. Rod Assembly
	NOVA15 Cable Adapter NEW	235170	
	NOVA15 CPT Cable Probe NEW	234930	100, 1.5, 5.0, Tilt

Components	Part	MN	Notes
	CPT Cable Contact Cartridge Assembly	209086	
	Soil Conductivity Probe Cord	214229	97 ft.
	CPT Cable to Interface Cord	204605	1 ft.
	Transducer Seal Plug	104878	
	1.75 in. Drive Head	220545	1.75 Box x 1.5 Pin



geoprobe.com/cpt

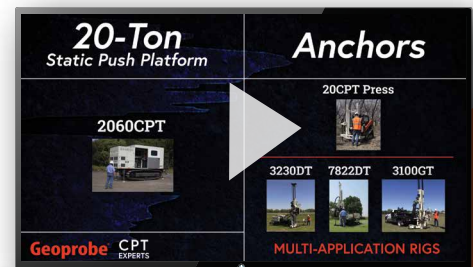


Accessories

Components	Part	MN	Notes
	CPT Microphone	217553	20 ton
	CPT Rod	235270	36 mm x 1 m GP, rope thread
	1.5 in. Probe Rod	202248	48 in.
	CPT Friction Reducer	237145	CPT/GP Box, 2 in. OD
	CPT Friction Reducer	202698	1.5/CPT
	NOVA15 CPT Sound Transmitter	234983	
	CPT Friction Reducer	234893	1.5/CPT, 12 in.
	NOVA15 Sound Transmitter	236033	44 mm Rod
	NOVA CPT Sound Transmitter	217262	
	NOVA15 CPT Probe	235164	100,1.5,5.0,Tilt
	NOVA CPT Probe	216975	Q=100 FS=1.0 U=2
	CPT Microphone Mount	202107	54 Series
	CPT Microphone Mount Top Bolt	201278	
	CPT Microphone Mount	203972	1-5/8 in. Hex
	CPT Microphone Mount	202548	GH60 Series
	NOVA CPT Mic Cable	206640	Cordless CPT 10cm ²

Geoprobe® CPT Platforms

geoprobe.com/cpt-platforms



This video takes a look at the various CPT platforms Geoprobe® has available.



785-825-1842

geoprobe.com/cpt

Seismic Sections

Components	Part	MN	Notes
	GP10 Seismic Section NEW	236237	
	GP10 Seismic Section, GP CPT Box NEW	239429	
	GP15 Seismic Section V2 NEW	238116	
	GP15 Seismic Section V2, GP CPT Box NEW	240664	

Replaceable Trigger Components

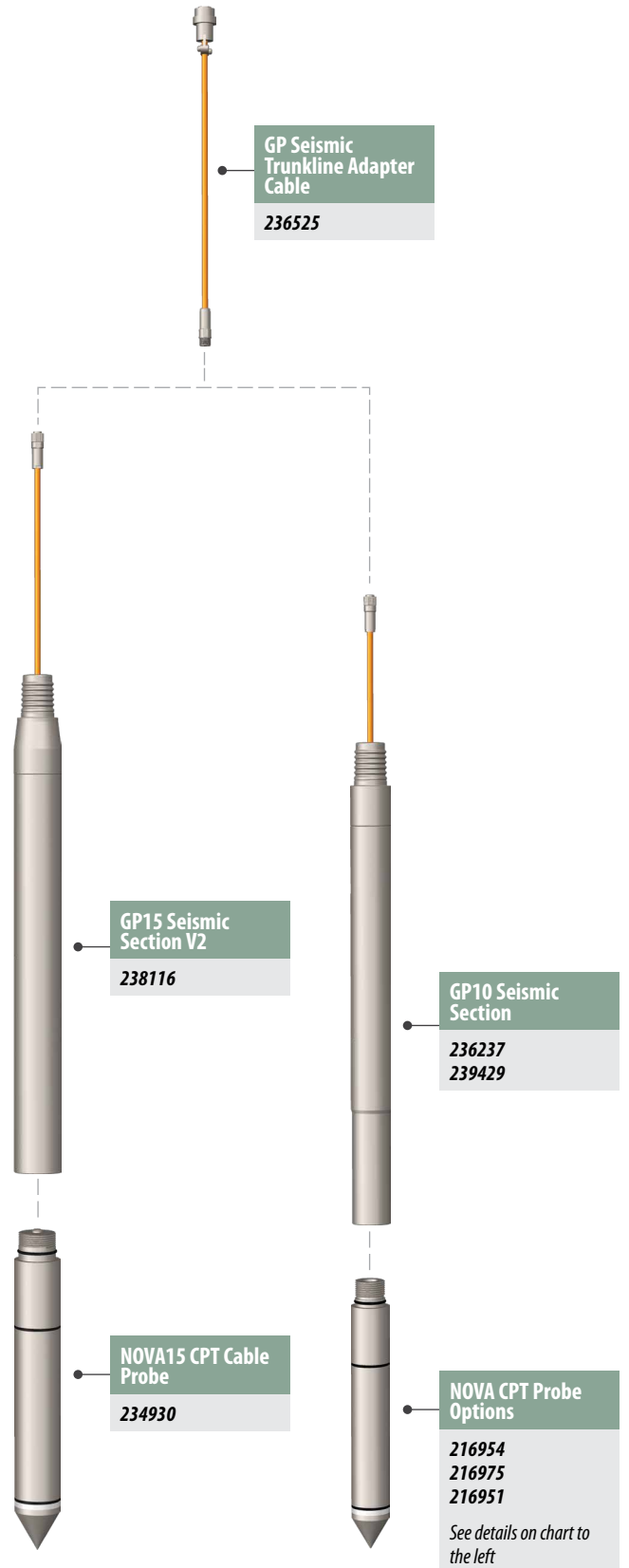
Components	Part	MN	Notes
	Seismic CPT Hammer with Trigger NEW	202781	
	Seismic Shear Plate	205448	
	Seismic CPT Shear Plate Cable NEW	236645	
	Seismic CPT Hammer NEW	236641	
	Seismic CPT Hammer Cable NEW	236614	
	Seismic CPT Trigger Connection Hub NEW	236643	
	Seismic CPT Trigger Cable NEW	236528	15 ft.
	Seismic CPT Trigger Hub Connection Cable NEW	236648	

Replaceable Interface Cables

Components	Part	MN	Notes
	DI Cordset 5 Cond NEW	236232	0.25 in. X 150 ft.
	Cable, 2m, USB "A" to Sealed USB "B" NEW	500965	
	GP Seismic Trunkline Adapter Cable NEW	236525	3 ft.
	Seismic CPT to CPT Cable NEW	235456	4 ft.
	Seismic CPT Trigger Cable NEW	236528	15 ft.

Probes

Components	Part	MN	Notes
	NOVA15 CPT Cable Probe NEW	234930	100, 1.5, 5.0, Tilt
	NOVA CPT Cable Probe	216954	100, 1.0, 2.0, Tilt
	NOVA CPT Probe	216975	100, 1.0, 2.0, Tilt
	NOVA CPT Probe	216951	100, 1.0, 5.0, Tilt (Custom)



geoprobe.com/cpt

Interface & Cables

Components	Part	MN	Notes
	NOVA CPT Computer Interface	217259	
	USB to Serial Converter	103782	
	NOVA CPT Stringpot	235932	
	CPT Serial Cable	232928	3 ft.
	CPT Serial Cable	201292	20 ft.
	CPT Serial Cable	203435	35 ft.
	CPT Power Cable	234108	12V, 3 ft.
	CPT - Machine Power Cable	237095	12V, 9 ft.
	CPT Power Cable	202547	12V Plug
	NOVA CPT Mic Cable	232929	9 ft.
	NOVA CPT Mic Cable	206640	
	CPT Microphone Cable	201291	20 ft.
	NOVA CPT Stringpot Cable	232927	9 ft.
	NOVA CPT Stringpot Cable	216972	17 ft.
	NOVA CPT Stringpot Cable	209709	32 ft.

Friction Reducers and Adapters

Components	Part	MN	Notes
	CPT Friction Reducer	236659	1.5/1.5, 12 in.
	CPT Friction Reducer	234893	1.5/CPT, 12 in.
	CPT Friction Reducer	202698	1.5/CPT
	CPT Adapter	234841	CPT/1.5 Pin, 12 in.
	CPT Adapter	237140	CPT/GP Box
	CPT Friction Reducer	237145	CPT/GP Box, 2 in. OD
	NOVA CPT Rod with Friction Reducer	209663	
	CPT Friction Reducer	239033	GP/GP, 12 in., 2 in. OD

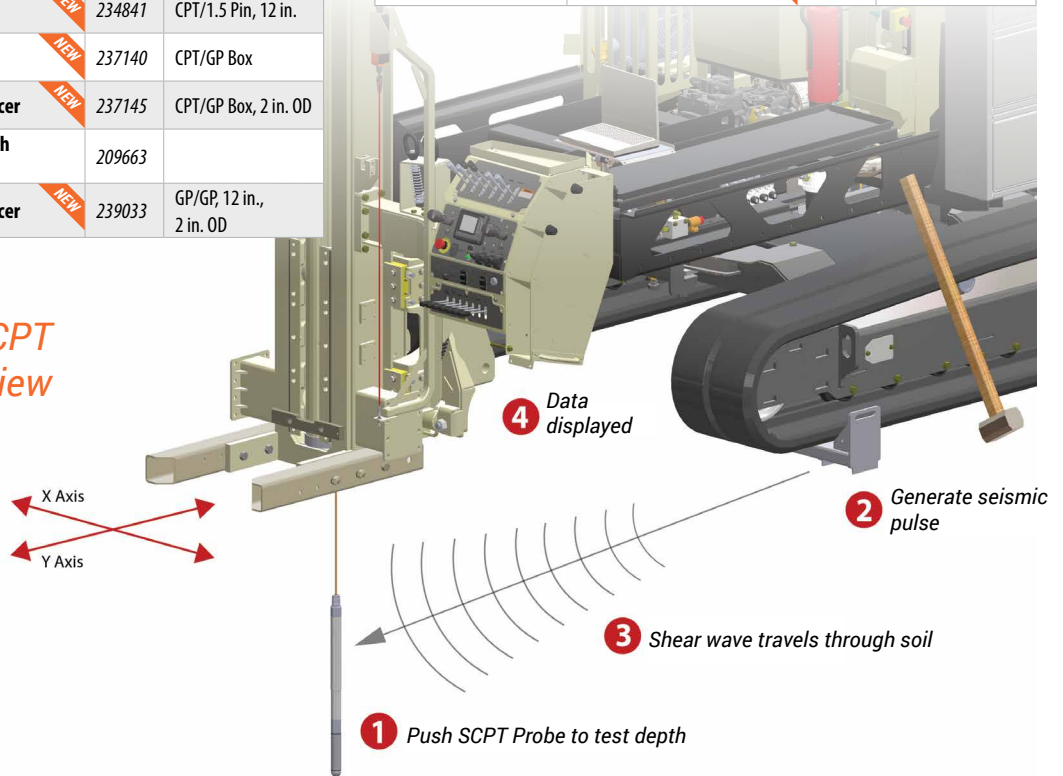
Anchors & Accessories

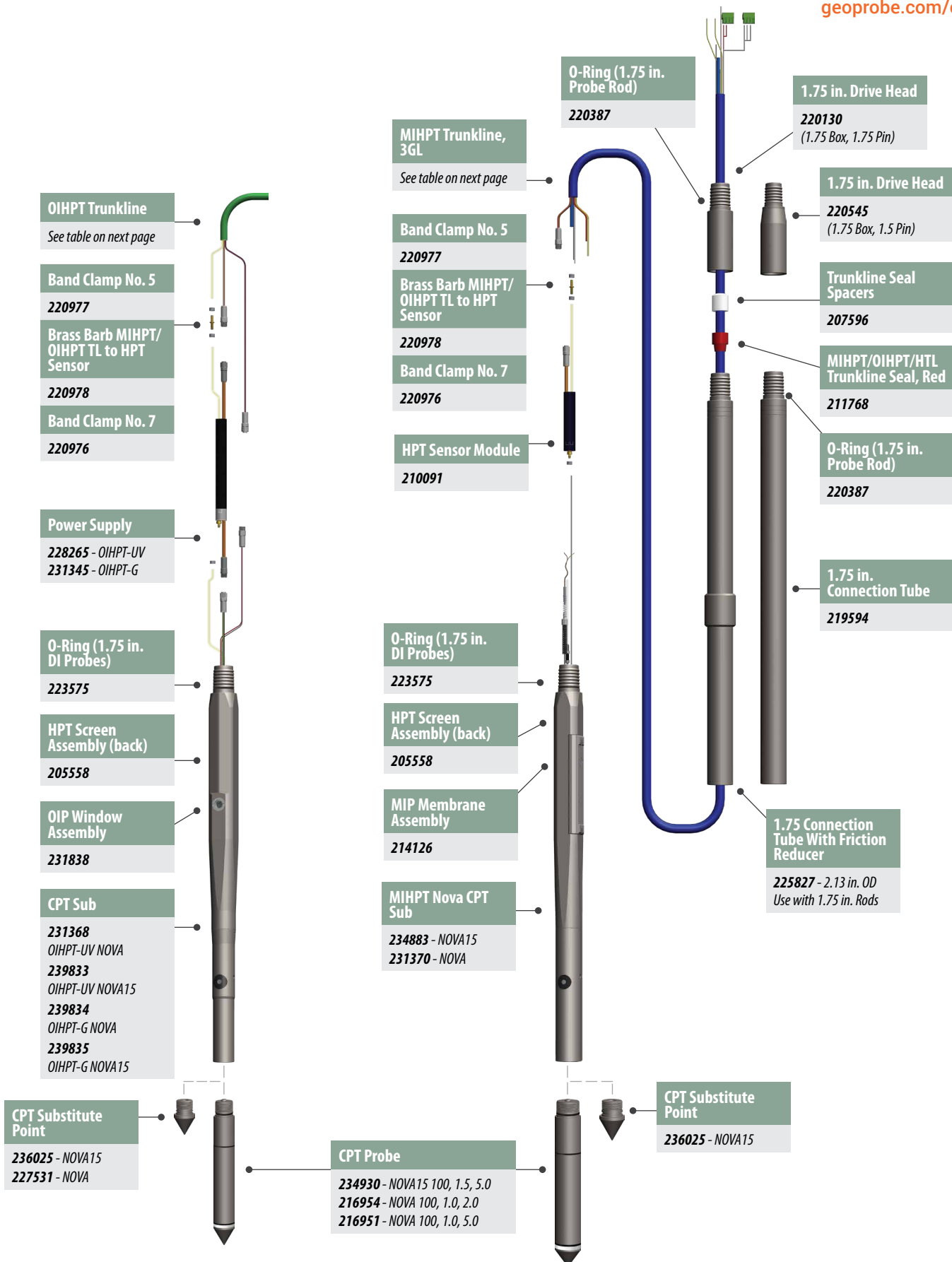
Components	Part	MN	Notes
	Soil Anchor	235227	10 in. Spiral, 1.625 Hex
	Soil Anchor	235239	15 in. Spiral, 1.625 Hex
	Soil Anchor Extension	205072	60 in.
	Soil Anchor Extension	235575	12 in. Spiral, Used for dual anchor
	Hex Extension	234097	12 in.
	CPT Anchor Bridge	239335	4 ft.
	CPT Anchor Footbridge	212131	Larger foot bridge
	CPT Bridge Weldment	231180	78/31 Series
	Soil Anchor Pinning Brackets	205209	Holds anchors against bridge

Accessories

Components	Part	MN	Notes
	HSA Auger Connecting Pin	600193	1-5/8 in. Hex, 77/66 Series Machines
	Rod Bushing CPT/1.5	205617	6625CPT
	CPT Rod Guide	231522	78/31 Series
	GP CPT Transport Case	219940	
	CPT - PRO Interpretation Software	600167	
	CPT Saturation Kit	205233	
	NOVA Memory Download USB Cable	206689	
	NOVA15 No-Go Gauge	236688	
	NOVA No-Go Gauge	236689	







Seismic CPT Overview








Soil imaging probe and method of processing soil image to detect hydrocarbon contamination manufactured under US Patents 10,371,637 and 10,739,264



Subs

Components	Part	MN	Notes
	OIHPT-UV NOVA CPT Sub	231368	For 10cm ² Cone
	OIHPT-UV NOVA15 CPT Sub NEW	239833	For 15cm ² Cone
	OIHPT-G NOVA CPT Sub NEW	239834	For 10cm ² Cone
	OIHPT-G NOVA15 CPT Sub NEW	239835	For 15cm ² Cone
	MIHPT 15CM Nova CPT Sub NEW	234883	For 15cm ² Cone
	MIHPT Nova CPT Sub	231370	For 10cm ² Cone




Probes

Components	Part	MN	Notes
	NOVA CPT Cable Probe	216954	100, 1.0, 2.0, Tilt
	NOVA CPT Probe	216951	100, 1.0, 5.0, Tilt (Custom)
	NOVA15 CPT Cable Probe NEW	234930	100, 1.5, 5.0, Tilt

Trunklines & Accessories

Components	Part	MN	Notes
	OIHPT Trunkline	228253	100 ft.
		228254	150 ft.
		231482	200 ft.
	MIHPT Trunkline, 3GL	236309	100 ft.
		236310	150 ft.
		236311	200 ft.

Accessories

Components	Part	MN	Notes
	CPT Substitute Point NOVA Cone NEW	227531	
	CPT Substitute Point NOVA15 Cone	236025	
	OIP Window Assembly NEW	231838	4 mm
	MIP Membrane Assembly	214126	
	HPT Screen Assembly	205558	
	MIP-HPT Screen Ratchet Wrench Assembly	212094	
	OIP Window Ratchet Wrench Assembly	225140	
	OIHPT-UV Power Supply	228265	
	OIHPT-G Power Supply	231345	
	HPT Sensor Module	210091	
	Band Clamp No. 7	220976	Quantity: 10
	Brass Barb MIHPT/OIHPT TL to HPT Sensor	220978	Quantity: 5
	Band Clamp No. 5	220977	Quantity: 10
	1.75 Connection Tube With Friction Reducer	225827	2.13 in. OD
	1.75 in. Connection Tube	219594	
	1.75 in. Drive Head	220545	1.75 Box x 1.5 Pin
	1.75 in. Drive Head	220130	1.75 Box x 1.75 Pin
	MIHPT/OIHPT/HTL Trunkline Seal, Red	211768	
	Trunkline Seal Spacers	207596	Pair
	O-Ring (1.75 in. DI Probes)	223575	Quantity: 10

7822DT CPT Testing

geoprobe.com/7822dt



CPT testing with the 7822DT gives the rig even more capabilities.

3100GT CPT Testing

geoprobe.com/3100gt



The truck mounted 3100GT makes moving from site-to-site quick and easy.

3230DT CPT Testing

geoprobe.com/3230dt



See how the 3230DT combination rig is configured for CPT testing.

3126GT CPT Testing

geoprobe.com/3126gt



Watch how the 3126GT side-shift makes CPT testing simple.

CPT

CPT (Cone Penetration Testing)

Vane Shear Testing

geoprobe.com/vane

Accessories

Components	Part	MN	Notes
	Electrical Vane Test Instrument/Gearbox	221266	
	Vane Transport Case - Instrument Motor	112835	
	Vane Instrument Mounting Ring	112889	
	Vane Log Logging Software for Windows	112836	
	Vane Power Cable	223010	12Vdc, 4A
	Vane Serial Cable	223014	RS232
	Vane Torque Wrench Control Instrument	112837	Optional for field confirmation
	Eurocode Field Vane	600468	65 mm x 130 mm
	2.25 in. Probe Rod	204778	1 m
		204777	12 in.
		206588	24 in.

Components	Part	MN	Notes
	Vane Inner Ext Rods (22 mm x 1000 mm)	112886	
	Adapter 2.25 Pin x Geotech SPT Pin	213295	Adapts Eurocode sheath to rods
	Vane Gearbox 2.25 in. Rod Clamp	221557	For mounting gearbox to casing
	Vane (65 mm x 130 mm)	600509	Vane Blade
	Vane (50 mm x 110 mm)	601086	Vane Blade
	Vane Slip Coupling	600510	
	Field Vane Sheath Seal	600497	Repair Part
	Vane Slip Coupling Rubber Boot	112261	Repair Part
	Vane Slip Coupling Needle Bearings	112683	Repair Part
	Vane Slip Coupling Pin	112684	Repair Part

CPT

Machine Anchoring



Watch this video to learn about our dual flight anchors.

geoprobe.com/anchoring

Single bridge with dual anchor



4-ft. bridge (2-anchor)



Accessories

Components	Part	MN	Notes
	CPT Rod Guide Assembly NEW	239467	78/31 Series
	Soil Anchor Pinning Brackets	205209	Holds anchors against bridge
	Single CPT Bridge Weldment NEW	231180	78/31 Series
	Soil Anchor Extension NEW	235575	12 in. Spiral, Used for dual anchor
	Soil Anchor NEW	235227	10 in. Spiral, 1.625 Hex
	Soil Anchor Extension	205072	60 in.
	Soil Anchor NEW	235239	15 in. Spiral, 1.625 Hex
	CPT Anchor Bridge NEW	239335	4 ft.
	CPT Anchor Footbridge	212131	Larger foot bridge
	HSA Auger Connecting Pin	600193	1-5/8 in. Hex, 77/66 Series Machines