


7 Concrete Coring & Penetrator Systems

geoprobe.com/concrete



There may be times a larger hole is required at the surface or a cored hole is called out in the work plan. Using Geoprobe® concrete coring systems to cut a core eliminates mobilizing specialized equipment to site, improving efficiency. Water swivel assemblies are available for use with rotary hammers along with industry-standardized diamond drill bits using 1.25-7 threads.

Key Features

- *Water flow lubricates and cools core bit while removing cuttings*
- *Rotation capabilities of the machine eliminate mobilization of specialized equipment*

A 5-in. concrete core opens up the subsurface for sampling or for monitoring well installation.

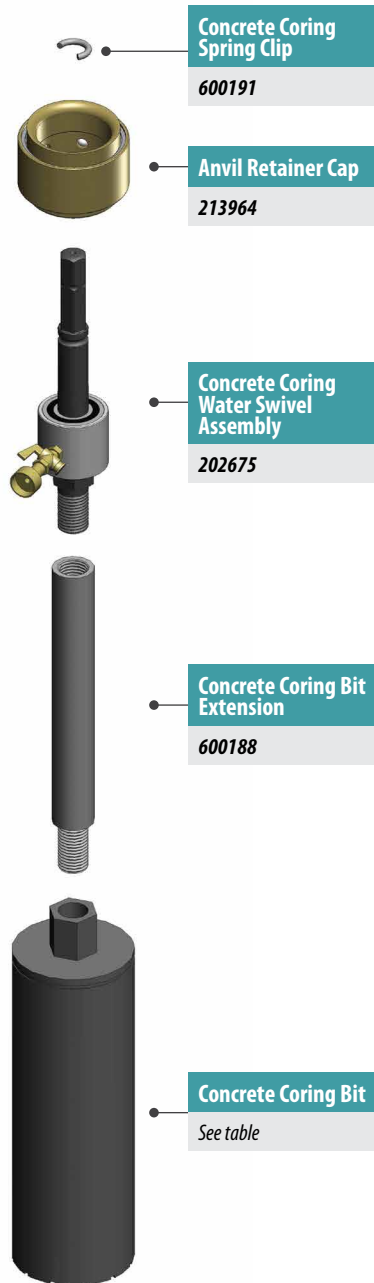
Concrete Coring System - GH40 Series

geoprobe.com/gh40-coring



785-825-1842

It is often necessary to probe in areas that have concrete, asphalt or brick at the surface. The GH40 concrete coring system can be used to cut a core without having to mobilize a specialized piece of equipment to the site. This improves efficiency and it adds value to your direct push machine with a GH40 percussion hammer.



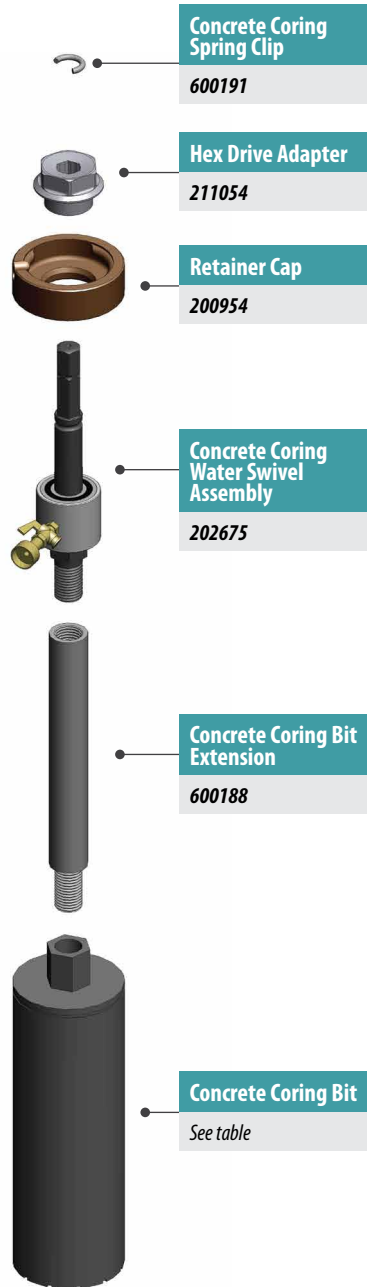
Components	Part	MN	Notes
	Concrete Coring Spring Clip	600191	
	Anvil Retainer Cap	213964	GH40 Series
	Concrete Coring Water Swivel Assembly	202675	
	Concrete Coring Bit Extension	600188	12 in. LG
	Concrete Coring Plate Bracket	202903	
	Concrete Coring Plate Handle	202905	
	Concrete Coring Support Plate	202870	
	Water Tank Garden Hose Adapter Kit	205296	
	Washer Flat	101189	USS 5/16 ZN

Concrete Coring Bits

Components	Part	MN	Notes
	Concrete Coring Bit	600248	3 in. OD x 13 in. LG
		600247	4 in. OD X 13 in. LG
		600187	5 in. OD x 13 in. LG
		600238	6 in. OD x 13 in. LG
		600206	8 in. OD x 13 in. LG
		600199	12 in. OD X 13 in. LG

LG = Long

Many times it is possible to break through surface concrete using a carbide-tipped drill bit and the Geoprobe® hammer, but sometimes a larger hole is required or a cored hole is specified in the work plan. Water flow provides lubrication and cooling for the core bit. Water also removes the cuttings that develops as the bit cuts through the surface material.



Components	Part	MN	Notes
	Concrete Coring Spring Clip	600191	
	Hex Drive Adapter	211054	GH60 Coring
	Retainer Cap	200954	GH60 Series
	Concrete Coring Water Swivel Assembly	202675	
	Concrete Coring Bit Extension	600188	12 in. LG
	Water Tank Garden Hose Adapter Kit	205296	

Concrete Coring Bits

Components	Part	MN	Notes
	Concrete Coring Bit	600248	3 in. OD x 13 in. LG
		600247	4 in. OD X 13 in. LG
		600187	5 in. OD x 13 in. LG
		600238	6 in. OD x 13 in. LG
		600206	8 in. OD x 13 in. LG
		600199	12 in. OD X 13 in. LG

LG = Long

7822DT Concrete Coring

geoprobe.com/gh60-coring



This demo looks at surface coring with the Geoprobe® 7822DT.

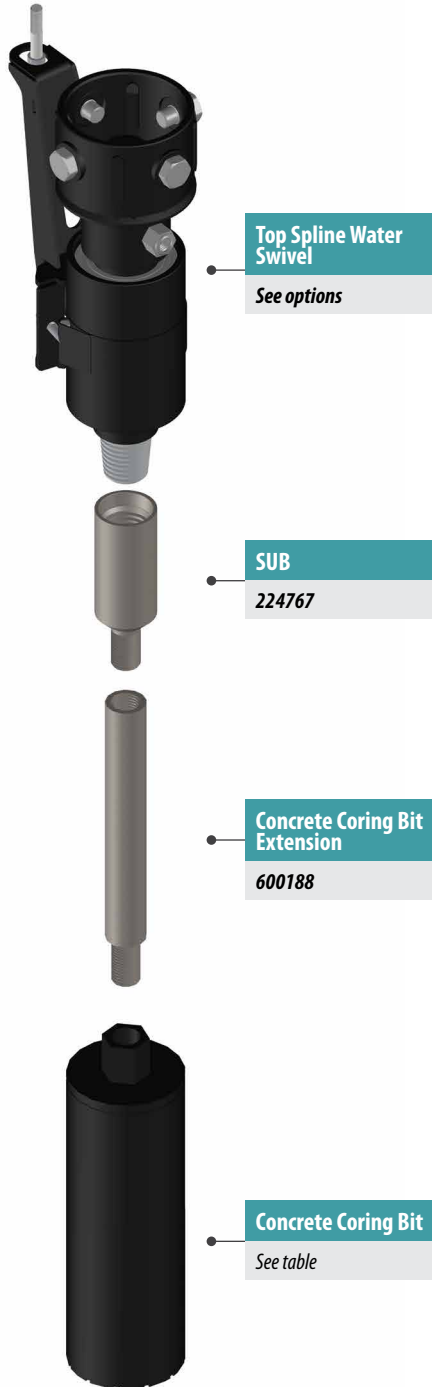
Concrete Coring System - GH70 / GH80 Series

geoprobe.com/gh70-coring



785-825-1842

The Geoprobe® concrete coring system can be used to cut a core without having to mobilize a specialized piece of equipment to the site. This improves efficiency and it adds value to your direct push machine. Geoprobe® offers a Water Swivel Assembly designed to be used with Geoprobe® hammers having rotational capabilities and industry standardized diamond drill bits using 1.25-7 threads.

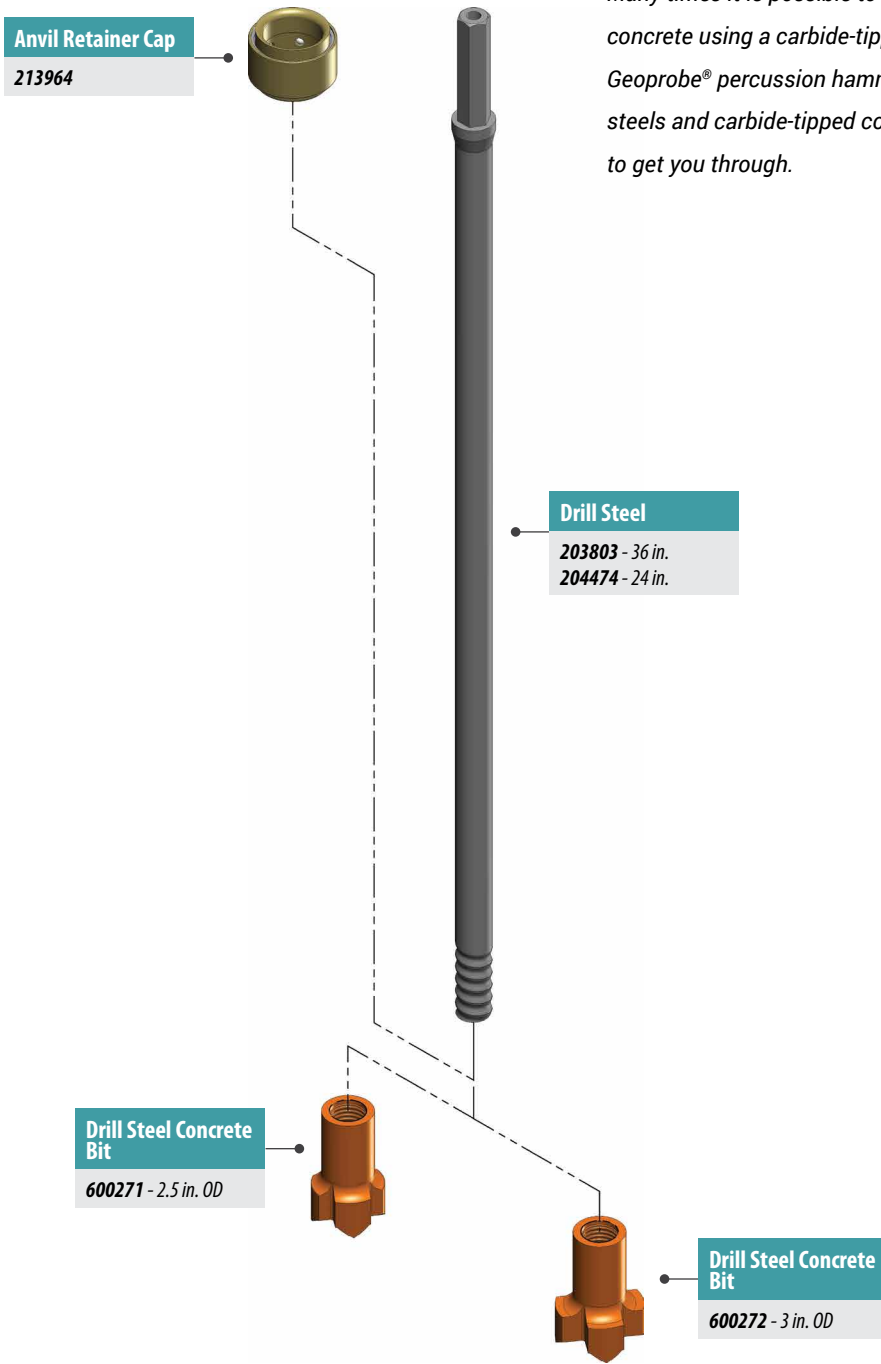


Components	Part	MN	Notes
	Water Swivel and Bracket (NWJ)	208539	8040DT, 3230DT
	Top Spline Water Swivel	220660	with 3230DT Hardware
	NWJ Box x 1.25-7 UNC Pin NEW	224767	5.75 in. S-S
	Concrete Coring Bit Extension	600188	12 in. LG




Concrete Coring Bits



Components	Part	MN	Notes
	Concrete Coring Bit	600248	3 in. OD x 13 in. LG
		600247	4 in. OD X 13 in. LG
		600187	5 in. OD x 13 in. LG
		600238	6 in. OD x 13 in. LG
		600206	8 in. OD x 13 in. LG
		600199	12 in. OD X 13 in. LG

LG = Long



Many times it is possible to break through the concrete using a carbide-tipped drill bit and the Geoprobe® percussion hammer. Multiple sizes of drill steels and carbide-tipped concrete bits are available to get you through.

Components	Part	MN	Notes
 36 in.  24 in. 	Drill Steel	203803	1.0 in. x 3-1/2 in. Shank x 36 in.
	Drill Steel	204474	1.0 in. x 3-1/2 in. Shank X 24 in.
	Anvil Retainer Cap	213964	GH40 Series

Components	Part	MN	Notes
 	Drill Steel Concrete Bit	600272	3.0 in. OD
	Drill Steel Concrete Bit	600271	2.5 in. OD

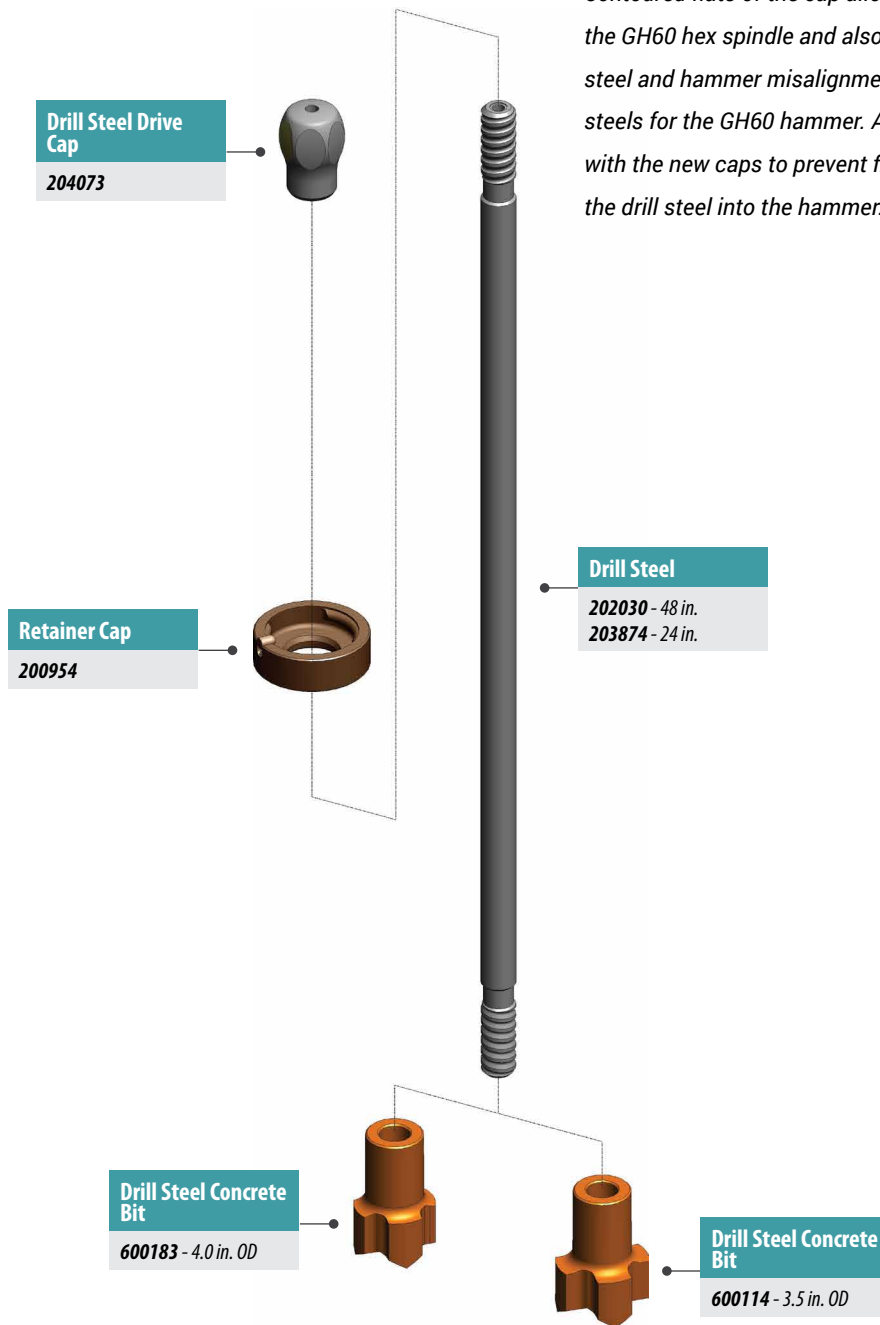
Pavement Penetrator System - GH60 Series

geoprobe.com/gh60-pavement



785-825-1842

Contoured flats of the cap allow for a better fit inside the GH60 hex spindle and also gives allowance for drill steel and hammer misalignment. Fits all existing drill steels for the GH60 hammer. A penny is also included with the new caps to prevent fines from traveling up the drill steel into the hammer.



Components	Part	MN	Notes
	Drill Steel Drive Cap	204073	GH60 Series
	Retainer Cap	200954	GH60 Series
	Drill Steel	202030	1.5 in. x 3-1/2 in. Shank x 48 in.
	Drill Steel	203874	1.5 in. x 3-1/2 in. Shank x 24 in.

Components	Part	MN	Notes
	Drill Steel Concrete Bit	600183	4.0 in. OD
	Drill Steel Concrete Bit	600114	3.5 in. OD
	Concrete Bit	600215	2.5 in.
	Drill Steel Coupler	600229	Box x Box
	Retainer Cap Repair Kit	202752	