



Single Rod Loader

Using the helper side controls to operate the jib and winch function controls, the helper loads the drill pipe in the single rod loader. This makes the DM250 drilling rig easy to operate with a two-man crew while minimizing movement of the top head for faster production.

No CDL*
Required!
(*Class A/B)

Rod Carousel

Carousel carries 160-feet of 3-inch (20-foot tooling) drill pipe for a simple, easy way to go in and out of the hole. Machined grooves along base of carousel with arrow marker provide visual indicator without looking up to sky when aligning rotary head over rods.

Easy to Mobilize

Under CDL chassis is equipped with diesel engine, automatic transmission, and 4x4.

On-board Grout Mixer

40-gallon on-board grout mixer runs off of rig hydraulics, saving fuel compared to running an extra engine.

Additional Options

- Sandline
- Stabilizer tray
- Lift pump
- Air-powered diaphragm pumps
- and more

Mud Pump & Air Compressor

Multiple mud pump and air compressor options include: 5x5 duplex, centrifugal pumps, 125cfm, and 85cfm development air compressor.

Control Panel

The neatly laid out control panel includes engine monitoring, an E-stop, hydraulic pressure gauges, friction control levers for mud pump and rotation circuits, and electronic throttle controls.



From simple operation and surprising power to fast production with 22-foot stroke, the DM250 offers loads of added value all under class A/B CDL.

FEATURES



Compact Transport

A compact transport size makes the DM250 a good fit for residential work where limited access is a priority.



Top Head Carriage

The top head carriage uses rollers instead of slides to provide smoother travel, easier maintenance, and longer life.

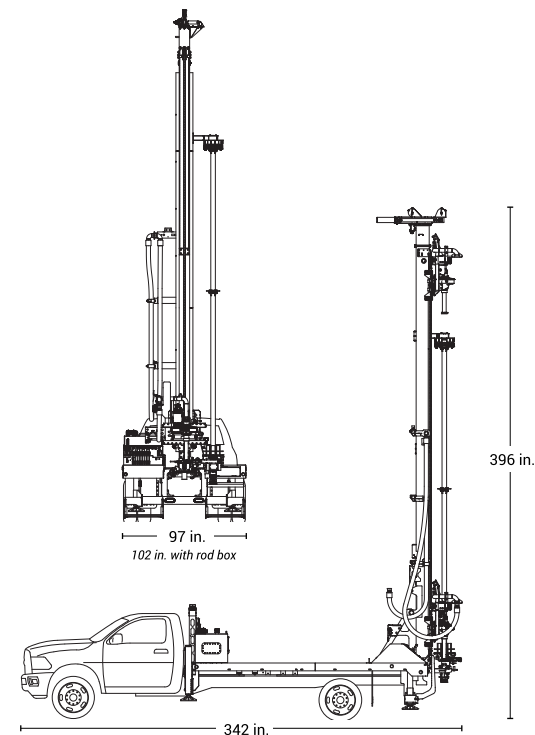
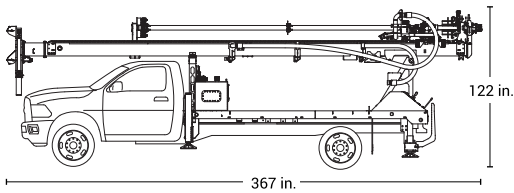


Table Assembly / Breakout Wrench

Clearance is provided for up to 12-inch PVC casing. The holding fork and hydraulically operated adjustable breakout wrench make tripping out fast and safe.

WEIGHT & DIMENSIONS

Base Unit Weight: 20,000 lb. (9,072 kg.)



Rig shown with optional features. Weights & dimensions subject to change without notice.

OPTIONS

Head

- High Torque Head Assembly
- High Speed Head Assembly

Breakout Fork

- Breakout Fork Weldment (Mayhew)
- Breakout Fork Weldment (IF)
- Centralizer Kit

Rod Loader/Box:

- 20 ft. Rod Loader - Rod Box Option
- 15 ft. Rod Loader - Rod Box Option

Helper Controls

- Helper Controls Kit

Carousel

- Carousel 8 Rod with DMR3 Head Assembly

Winches

- Dual Winch: 5,000 lbf and 1,800 lbf
- Dual Winch: 5,000 lbf and 1,100 lbf
- Single Winch: 5,000 lbf

Mud Pumps

- 2 in. Pump Air Operated Diaphragm Kit
- 3 in. Pump Air Operated Diaphragm Kit
- Duplex Pump 5x5
- Centrifugal Pump 4x3x13
- Centrifugal Pump 3x2x13
- Moyno® 3L6
- Centerline 7½ x 10 Mono Pump

Air Compressor

- Air Compressor 80 CFM
- Air Compressor 125 CFM
- Air Compressor 225/150 CFM
- Air Compressor 225/150 CFM with Mud Pump

Mud and Air Combination

- Duplex Pump 5x5 & 85 CFM Compressor
- Centrifugal Pump 3x2x13 & 125 CFM Compressor
- Centrifugal Pump 4x3x13 & 125 CFM Compressor
- Centrifugal Pump 7.5x10 & 125 CFM Compressor
- Centrifugal Pump 4x3x13 & 225 CFM Compressor

Trash Pump

- Centrifugal Trash Pump Kit

Grouter

- Grouter Kit

Other Kits

- Water Injection Kit
- Hammer Lubricator Kit

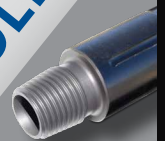
Tool Storage

- Underbody Toolbox Kit, 36 in.
- Rod Box Weldment 20 ft. x 5 Rods
- Stabilizer Tray 10 ft x 9.5 in. OD

Casing Slips

- (2) Casing Slips

TOOLING

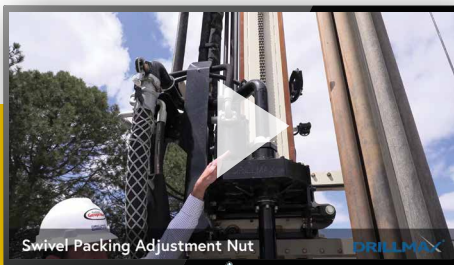


DRILLMAX® 2-3/8 Mayhew Regular and IF Drill Pipe



DRILLMAX® Spring Assisted Swivel Hoist Plug

DRILLMAX® Adapter Subs



Swivel Packing Adjustment Nut

DRILLMAX



Videos, Photos, Specifications, Resources

drillmaxrigs.com/dm250